

# Jaguar<sub>3</sub>



# 64X64

### Features

- Small Frame Size – 64X64 in 2RU
- SD/HD/3G Multi-rate from 270Mbps to 3.0Gbps
- Auto-equalization on all inputs
- Auto-reclocking or by-pass mode on all outputs
- Digital video signals for SMPTE 259M, 292M, 372M, 424M
- Front loading, hot-swappable matrix, power, control for 24/7 operations
- Redundant power and control cards available
- Wide range of rack-mount and desktop control panels
- Supports PESA router control and many 3rd party control systems
- Efficient package design allows for low power consumption



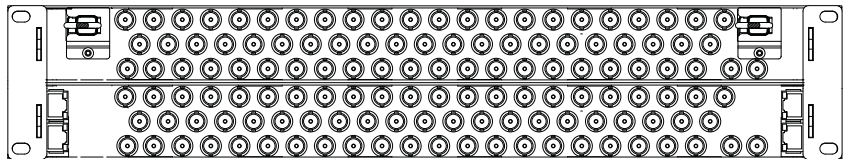
## 64X64 High Definition Video packed in a 2RU chassis

PESA's Jaguar-3 64X64 matrix switcher routes SMPTE and ITU standard serial digital video signals; plus it supports embedded audio and other ancillary data required for HD-SDI and DVI/ASI broadcast sources. For digital cinema high definition video distribution requirements, the Jaguar-3 can be configured to switch SMPTE 372M dual-link HD-SDI in configurations up to 32X32. Jaguar-3 is perfect for SD-SDI, HD-SDI, and 3G-SDI switching applications in digital cinema, telemedicine, O&P, high end presentation rooms, satellite imaging, military command centers, and simulation/visualization environments.

Although small in size – it occupies only 2RU of rack space, Jaguar-3 is big on performance - supporting standard data rates from 270Mbps up to 3Gbps, and video transports up to 1080p/60. All inputs are auto-equalized; and with standard SMPTE formatted outputs, each signal is auto-sensed and re-clocked to the appropriate transport stream. Signals can be re-clocked up to 80m for 1080p/60. For non-standard formats, re-clocking circuitry can be set to by-pass mode.

Two independent reference inputs allow easy selection of gen-lock from a black burst or tri-level sync source. The compact frame design features front load / hot swappable card sets and includes space for an optional redundant power supply and controller module. Jaguar-3 provides control ports that allow configuring the frame for a variety of control interfaces including Ethernet control, PESA's PERC2000 or 3500Pro, and PESA's new Catrax graphical user control interface; plus it can be used with PESA's full range of control panels.

PESA's Catrax is an intuitive, easy to use GUI control system supporting the Jaguar-3 as well as the full line of PESA router frames. It is installed on a host PC running the Windows® operating system and communicates via an Ethernet port located on each router. For large, high-speed digital interface switching systems, the Catrax full-feature Control and Management software application supports comprehensive configuration, diagnostics and monitoring.



Jaguar-3 - 64X64 Video Frame for SD/HD/3G and DVB/ASI

### PNET Control Panel PESA Network Remote Control Panel

The PNET series of network enabled remote control panels are designed specifically to operate with the Small Scale System Controller. Each panel is only 2 inches deep and fits in any standard rack system. The panels are connected using standard RJ-45 jacks and include a looping CATx connector for adding additional panels in series. Individual

#### Pushbutton Panel - PNET6404

1RU, 64 input, 4 output, button-per-source and destination panel with power supply.



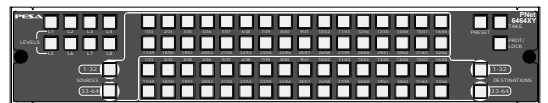
#### Pushbutton Panel - PNET6464TP

1RU, 64 Shared IO, button-per-source and destination panel with power supply.



#### Pushbutton Panel - PNET6464XY

1RU, 32 input, 32 output, button-per-source and destination panel with power supply.



Model	Description	Part Number
PNET Control Panel	Pushbutton Panel, 64 input, 4 output	PNET6404
PNET Control Panel	Pushbutton Panel, 32 input, 32 output	PNET6464XY
PNET Control Panel	Pushbutton Panel, 64 shared buttons	PNET6464TP

## Digital Specifications

### Digital Video Specifications

#### INPUTS/OUTPUTS

Number 64 Inputs and 64 Outputs  
Type Standard 75 Ohm, self-terminating, unbalanced BNCs with auto-EQ. conforming to SMPTE259M-C, SMPTE292M and SMPTE424M.

Return Loss  $\geq 15\text{dB}$  1MHz to 1.5GHz;  $\geq 10\text{dB}$ , 1.5GHz to 3GHz.  
Equalization 300m auto-equalization Belden 1694A or equivalent at 270Mbps.; 100m auto-equalization Belden 1694A or equivalent at 1.5Gbps; 80m auto-equalization Belden 1694A or equivalent at 3Gbps

Level 800mVpp,  $\pm 10\%$

#### SIGNAL SPECIFICATIONS

Rise/Fall  $\leq 600\text{ps}$  +/-10% SD SMPTE259M-C;  $\leq 270\text{ps}$  HD SMPTE292M;  $\leq 135\text{ps}$  3G SMPTE424M.

Overshoot  $\leq 10\%$  of amplitude max.  
Alignment Jitter  $\leq 0.2$  UI from 100kHz to 150MHz SMPTE259M-C or SMPTE292M;  $\leq 0.3$  UI from 150MHz to 300MHz SMPTE424M.

Timing Jitter  $\leq 1.0$  UI from 10Hz to 100kHz SMPTE259M-C or SMPTE292M;  $\leq 2.0$  UI from 10Hz to 100kHz SMPTE424M.

Reference Inputs Two independent 75 ohm BNC connectors, 0.5Vpp to 2.0Vpp; PAL, NTSC or Tri-Level sync.

Data Rates 143Mbps to 3Gbps

Form Factor 1RU

Mechanical 19.00W X 3.50H X 14.75D

482.6mm X 88.90mm X 372.65mm

Weight 15lbs

#### Environmental & Miscellaneous

Control Supports single-bus, multi-bus and XY control panels, using external system controller.

(Serial 422 PRC I/F) 4-wire, full duplex, multi-drop, serial RS422 port capable of accepting PESA PRC control protocol.

AC Input Connections IEC 320C6 socket (accepts IEC 320 C5 line cord)

Input Voltage 90-264 VAC, 47-63Hz, Output 24VDC @5.2A: Max. 125W

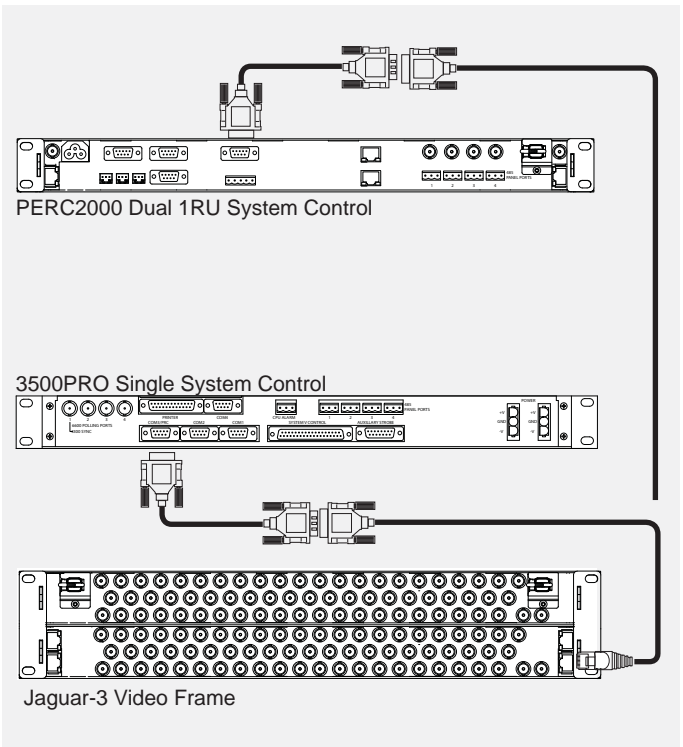
Operational Temp 0-40 degrees C

Operational Humidity 90% Non-condensing

## Part Numbers

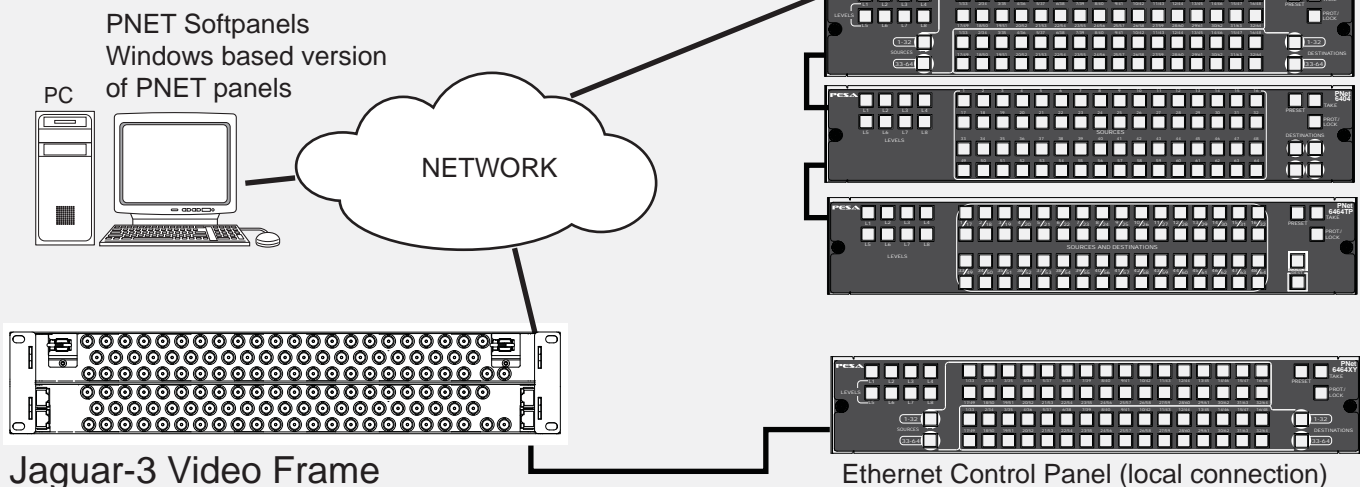
JAG3G-64X64-BNC 64X64 Routing Switcher, 2RU, PS, Supports data rates from 270Mbps to 3Gbps

JAG3G-32X32-BNC 32X32 Routing Switcher, 2RU, PS, Supports data rates from 270Mbps to 3Gbps SMPTE 259M, 292M, 424M, DVB/ASI



The Jaguar-3 Operates with PESA's 3500PRO or PERC2000 Control Interface Port

The Jaguar-3 Operates with PESA's SSC for network control and Ethernet Control Panels





WHEN AUDIO AND VIDEO ARE MISSION CRITICAL

## ORDERING INFORMATION

### U.S. Corporate Headquarters

PESA

103 Quality Circle, Suite 210

Huntsville, Alabama 35806

TEL: +1 256-726-9200

FAX: +1 256-726-9271

sales@pesa.com

### Warranty:

Products manufactured by PESA are manufactured for performance and reliability. PESA warrants these products against defects and workmanship for a period of three years.

### Services:

Customer support is available 24 hours a day, 7 days a week by calling 1-800-323-7372.

International customers call  
+1 (256) 726-9222.

In addition to our customer service support center, we offer extended warranties and online technical resources via our website at: **www.pesa.com**

On site or factory training is available for control system operations, technical, and maintenance training. Contact our technical support group for additional information.

Spares can be ordered through your area sales representative.

*Specifications subject to change without notice.*



www.pesa.com

MKTDOC-0003A312