



Product Catalog



Route - Transport - Extend - Convert - Scale

Multimedia Products for HDMI and DVI



HDMI Over Single Coaxial Extender

PESA Part No. PRO-HDMI-BNC



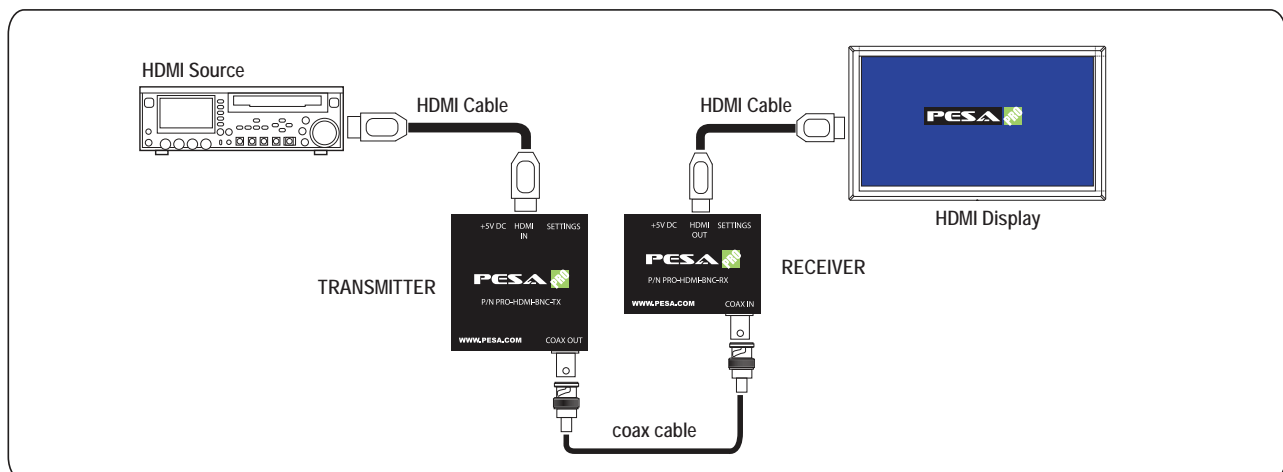
The PESA PRO-HDMI-BNC is a perfect solution for those who need to extend HDMI signals long distance over coax cable. The PESA HDMI extenders can handle resolutions up to 1080p at up to 60m. Installation of the PESA HDMI over coax is quick and easy, simply place the Transmitter unit next to your HDMI source and place the Receiver unit next to your destination. Connect the units with coax cable equivalent to 1694A to achieve distances up to 60m.

FEATURES:

- HDMI over a single coax
- Perfect video quality up to 1080p/60
- Supports 5.1 or 7.1 Audio
- Extends up to 60m (196 ft) from the HDMI source
- HDMI sources under Full HD resolution (1080p/60 24-bit color) through 1694A coaxial cable
- Supports video resolutions 480i, 576i, 720p, 1080i, and 1080p
- Easy to install and simple to operate

TECHNICAL

HDMI Compliance	HDMI 1.2a
HDCP Compliance	Yes
Video Bandwidth	Single Link 165MHz (4.95Gbps)
Video Support	480i / 480p / 720p / 1080i / 1080p
Audio Support	Surround sound up to 7.1 or stereo audio
HDMI over Coax	60m (196 ft) Full HD 1080p 24 bit color
HDMI Equalization	Auto
Input TDMS Signal	1.2V p-p
Input DDC Signal	5V p-p, TTL
Transmitter Input	1X HDMI
Transmitter Output	1X BNC
Receiver Input	1X BNC
Receiver Output	1X HDMI
HDMI Connector	Type A (19 pin female)
BNC Connector	75 Ohm
Dimensions TX	2.9" X 2.9" X 1.1" (74mm X 73mm X 29mm)
Power Supply	5V 2A DC
Power Consumption	3 W (max)
Operating Temperature	0-40C (32-104F)
Storage Temperature	-20 to 60C (-4 to 140F)
Relative Humidity	20 to 90% (non condensation)
Package Content	1X - TX Module 1X - RX Module 1X - User Manual 2X - 5V 2A power adapter



HDMI to 3G/HD/SD-SDI

PESA Part No. PRO-HDMI2HD



The PESA PRO-HDMI2HD provides a professional way to convert HDMI to HD/SD SDI in real time. The conversion between SDI and HDMI is pure digital and guarantees no loss transformation for both audio and video. Plus, with up to 8 channels audio support, 7.1 channel or 5.1 channel audio becomes available. The PRO-HDMI2HD also provides 2 low jitter SDI outputs for daisy chain or multiple monitors. With the use of PRO-HDMI2HD, the most popular uncompressed video interface in the consumer world is readily available for professional SDI equipment.

FEATURES:

Supported high-definition (HD) formats:

NTSC 525@59.94, PAL 625@50

720p@23.98, 720p@24, 720p@25, 720@29.94, 720p@30,

720p@50, 720p@59.94, 720p@60, 1080i@50, 1080i@59.94,

1080i@60, 1080p@23.97, 1080p@24, 1080p@25, 1080p@29.97,

1080p@30, 1080p@50, 1080p@59.94, 1080p@60

Bit Rate: 2.97 Gbps, 2.967 Gbps, 1.485 Gbps, 1.4835 Gbps, 270 Mbps

Auto 3G/HD/SD-SDI detection

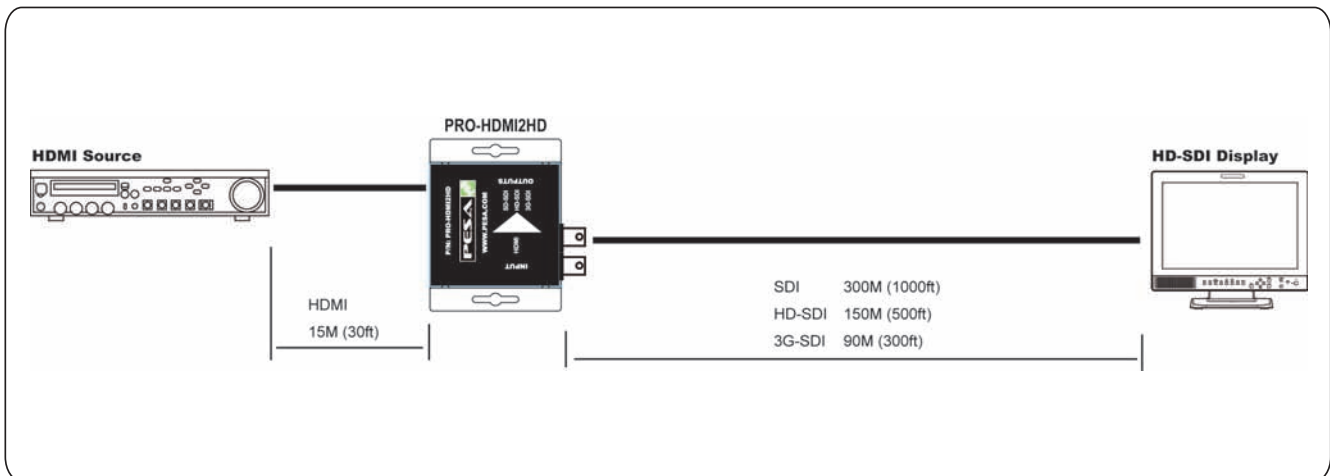
HDMI 1.2 supported

Two SDI compliant outputs

External DIP Switch Configuration

TECHNICAL

SDI Standards	SD-SDI, HD-SDI, 3G-SDI
Auto Standards Detection	Yes
Video Bandwidth	2.97Gbps
Video Support 3G-SDI	1080p50/59.94/60 (4:2:2) 1080p 23.97/24/25/29.97/30 (4:4:4) 1080i50/59.94/60 (4:4:4) 720p24/25/50/59.94/60 (4:4:4)
Video Support HD-SDI	720p50/59.94/60 1035i50/59.94/60 1080i50/59.94/60 1080p24/30 SD at NTSC 59.94Hz / PAL 50Hz
Output Signal Type	SMPTE 259M, 292M, 296M, and 424M
Input Signal Type	HDMI (DVI with adapter)
Impedance	75 Ohm
Audio Mode	7.1, 5.1, Stereo
Cable Equalization	60m (200ft) for 3G-SDI 150m (500ft) for HD-SDI 300m (1000ft) for SDI
Loop Out	2 Equalized and reclocked
Input Connectors	1X – HDMI/DVI
Outputs	2X – BNC
BNC type	75Ohm
HDMI connector	Type A (19 pin female)
DIP Switch Connector	Video format / Audio format / groups
Dimensions	6.3" X 4.3" X 1" (160mm X 110mm X 25mm)
Power Supply	5V 4A DC
Power Consumption	3 W (max)
Operating Temperature	0-40C (32-104F)
Storage Temperature	-20 to 60C (-4 to 140F)
Relative Humidity	20 to 90% (non condensation)
Package Content	1X – Module 1X – User Manual 1X – 5V 4A power adapter



3G/HD/SD-SDI to HDMI

PESA Part No. PRO-HD2HDMI



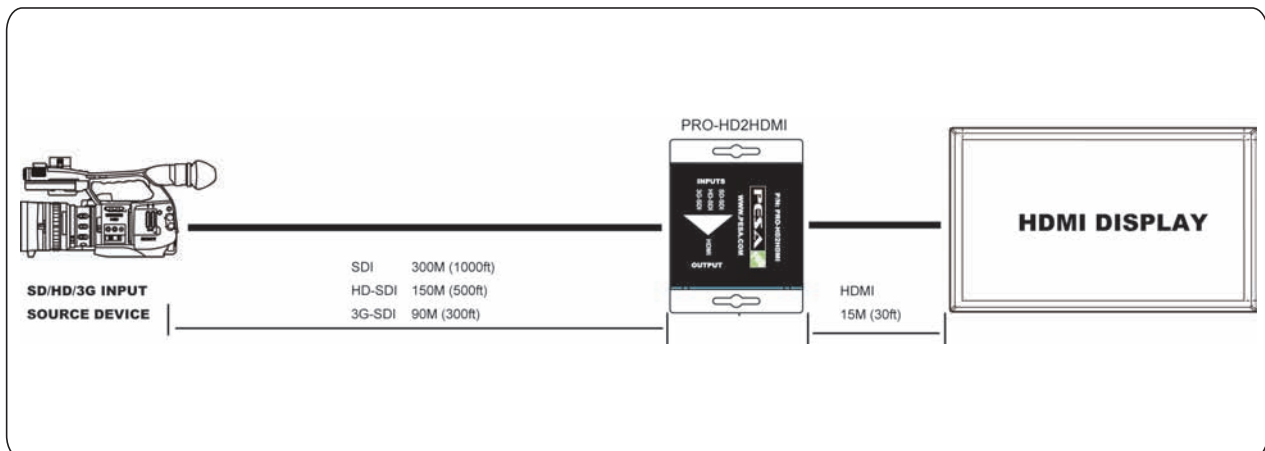
The PESA PRO-HD2HDMI provides a cost effective way to convert HD/SD-SDI signal to HDMI compliant format. The conversion between SDI and HDMI is pure digital and guarantees no loss transformation for both audio and video. Plus, with up to 8 channels audio support, 7.1 channel or 5.1 channel audio becomes available. The PRO-HD2HDMI also provides 2 low jitter and re-clocked outputs for daisy chain or multiple monitors out.

FEATURES:

- Auto 3G/HD/SD-SDI detection
- Supported standard-definition (SD) formats:
NTSC @59.94Hz, PAL @50Hz
- Supported high-definition (HD) formats:
1080i @50/59.94/60Hz, 1035i @50/59.94/60Hz,
720p @50/59.94/60Hz
- Supported 3G formats(SMPTE 425M, Level A):
1080p @50/59.94/60Hz (4:2:2), 1080p @24/25/30Hz (4:4:4), 1080i @50/59.94/60Hz (4:4:4), 720p @24/25/50/59.94/60Hz (4:4:4)
- 2 equalized and re-clocked loop outputs
- External DIP Switch Configuration

Technical

SDI Standards	SD-SDI, HD-SDI, 3G-SDI
Auto Standards Detection	Yes
Video Bandwidth	2.97Gbps
Video Support 3G-SDI	1080p50/59.94/60 (4:2:2) 1080p24/25/30 (4:4:4) 1080i50/59.94/60 (4:4:4) 720p24/25/50/59.94/60 (4:4:4)
Video Support HD-SDI	720p50/59.94/60, 1035i50/59.94/60,1080i50/59.94/60 1080p24/30 SD at NTSC 59.94Hz / PAL 50Hz
Input Signal Type	SMPTE 259M, 292M, 296M, and 424M
Output Signal Type	HDMI (DVI with adapter)
Impedance	75 Ohm
Audio Mode	7.1, 5.1, Stereo
Cable Equalization	60m (200ft) for 3G-SDI 150m (500ft) for HD-SDI 300m (1000ft) for SDI
Loop Out	2 Equalized and reclocked
Input Connectors	1X – BNC
Outputs	1X – HDMI/DVI 2X – BNC
BNC Type	75Ohm
HDMI Connector	Type A (19 pin female)
VGA Connector	HD-15 (15 d-sub)
DIP Switch Connector	Output / Audio / Audio Group / Level Control
Dimensions	6.3" X 4.3" X 1" (160mm X 110mm X 25mm)
Power Supply	5V 4A DC
Power Consumption	2 W (max)
Operating Temperature	0-40C (32-104F)
Storage Temperature	-20 to 60C (-4 to 140F)
Relative Humidity	20 to 90% (non condensation)
Package Content	1X – Module 1X – User Manual 1X – 5V 4A power adapter



HDMI over CAT5/6

PESA Part No. PRO-HDMI-CAT

With only one cost effective CATx cable, users can readily extend HDTV sources from DVD players, Blu-ray Disc player, PS3, PC, and any other DVI and HDMI compliant device to distant display monitors including HDMI/DVI enabled TV sets or LCD PC monitors. The PESA PRO-HDMI-CAT Extender boosts your video/audio transmission distance up to 60m (200ft) in HDTV 1080i format, 40m (130ft) in HDTV 1080p format, and 20m (65ft) in HDTV 1080p with 36 bit color depth. Using the latest in HDMI technology, this device supports deep color video, DTS-HD or Dolby True HD audio. HDCP compliant devices such as DVD players, entertainment gaming devices, and set top boxes can have their signal extended greater distances a minimal cost.

The PRO-HDMI-CAT includes two units: transmitting (TX) and receiving (RX) units. The transmitting unit is used to capture the input HDMI/DVI signals and carry the signals through one RJ-45 connector into one cost effective CAT-5/5e/6 cable. The receiving unit is responsible for equalizing the sent TMDS multimedia data. With an 8-level equalization control knob on the receiving unit, users can adjust the equalization strength to the received TMDS signals accordingly, and therefore optimize the transmission distance between source and destination.

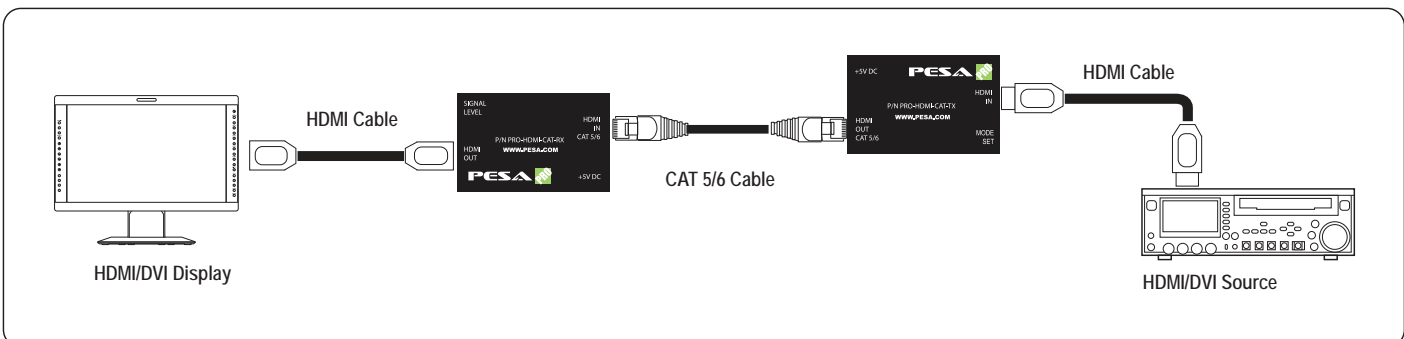
FEATURES:

- * HDMI 1.3c compliant
- * 720p or 1080i up to 60m (200ft) from the HDMI source
- * 1080p/8bit color up to 40m (130ft) from the HDMI source
- * 1080p/12bit color up to 20m (65ft) from the HDMI source
- * HDCP compliant
- * 8 Level equalization control to minimize skew
- * 7.1 digital audio over CAT-5/5e cable
- * Supports DTS-HD and Dolby True HD high bit rate audio



Technical

HDMI Compliance	HDMI 1.3c
HDCP Compliance	Yes
Video Bandwidth	Singlelink 165Mhz
Video Support	480i/480p/720p/1080i/1080p60 Up to 36-bit color depth
Transmission over Cable (1080p)	40m (130ft) over CAT5e 50m (165ft) over CAT6
Transmission over Cable (1080i/720p)	50m (165ft) over CAT5e 60m (200ft) over CAT6
Audio Support	8 Level Digital Control at RX
Input TMDS Signal	1.2V p-p
Input DDC Signal	5V p-p, TTL
Input / Output Type	TX unit – HDMI to RJ-45 RX unit – RJ-45 to HDMI
HDMI Connector Style	Type A (19 pin female)
RJ-45 Connector Style	WE/SS 8P8C with LED indicators
Rotary Switch	TX = Mode adjust, RX = EQ adjust
Dimensions	3.7" X 2.4" X 1" (93mmX60mmX25mm)
Power Supply	5V 2A DC
Power Consumption	4W max (TX), 1.5W max (RX)
Operating Temperature	0-40C (32-104F)
Storage Temperature	-20 to 60C (-4 to 140F)
Relative Humidity	20 to 90% (non condensation)
Package Content	1X – Transmitter (TX) 1X – Receiver (RX) 1X – User Manual 2X – 5V 2A power adapter



HDMI over CAT5/6 TX with direct plug RX

PESA Part No. PRO-HDMI-CAT-PLG

The PESA PRO-HDMI-CAT-PLG can boost your HDMI or DVI video/audio transmission distance up to 25m (80ft) in HDTV. With only one cost effective CATx cable, users can directly plug the receiver into HDTV sources from DVD players, Blu-ray Disc player, PS3, PC, and any other kinds of HDMI compliant devices to distant display monitors including HDMI/DVI enabled TV sets or LCD PC monitors. This cost effective flexibility allows HDCP compliant DVD players or PS3 players to transmit high quality video and audio greater distances at minimal cost.

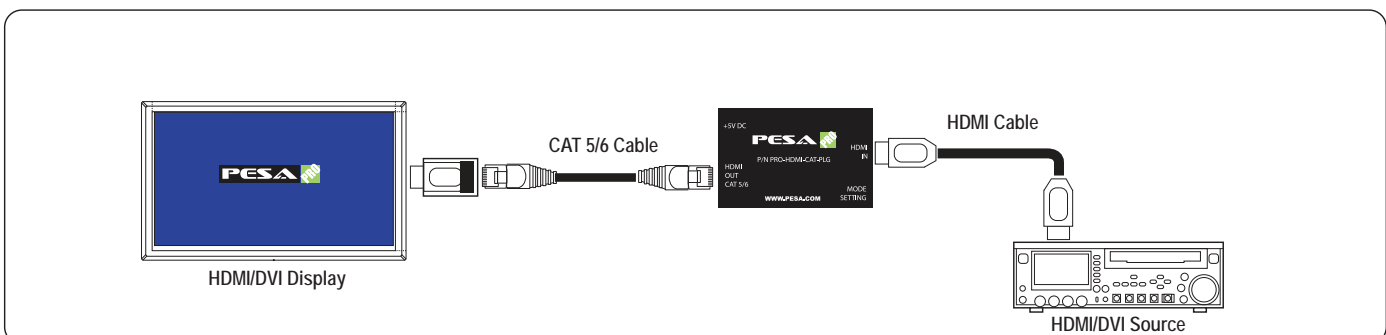
The PRO-HDMI-CAT-PLG includes two units: transmitting (TX) and receiving (RX) direct plug connector. The transmitting unit is used to capture the input HDMI/DVI signals and carry the signals through one RJ-45 connector into one cost effective CAT-5/5e/6 cable. The transmission distance between the sending and receiving units can be up to 25m (80ft) under HD (720p/1080i) or 15m (50ft) under Full HD (1080p60). With a direct plug to the display, users do not need a power outlet normally required for traditional HDMI over CAT5 receivers.

Features:

- * HDMI 1.3c compliant
- * 1080i or 720p up to 25m (80ft) from the HDMI source
- * 1080p up to 15m (50ft) from the HDMI source
- * HDCP compliant
- * Supports 7.1 digital audio over CAT 5/5e cable
- * RX allows direct plug-in to HDMI displays



Technical	
HDMI Compliance	HDMI 1.3c
HDCP Compliance	Yes
Video Bandwidth	Singlelink (165Mhz)
Video Support	480i/480p/720p/1080i/1080p60
	Up to 36-bit color depth
Transmission over Cable (1080p)	15m (50ft) over CAT5e
	18m (65ft) over CAT6
Transmission over Cable (1080i/720p)	25m (80ft) over CAT5e
	30m (100ft) over CAT6
Input TMDs Signal	1.2V p-p
Input DDC Signal	5V p-p, TTL
Input / Output Type	TX unit – HDMI to RJ-45
	RX unit – RJ-45 to HDMI
HDMI Connector Style	Type A (19 pin female)
RJ-45 Connector Style	WE/SS 8P8C with LED indicators
Rotary Switch	TX = Mode adjust
Dimensions	3.7" X 2.4" X 1" (93mm X 60mm X 25mm)
	RX is direct-plug unit
Power Supply	5V 2A DC
Power Consumption	1 W (max)
Operating Temperature	0-40C (32-104F)
Storage Temperature	-20 to 60C (-4 to 140F)
Relative Humidity	20 to 90% (non condensation)
Package Content	1X – Transmitter (TX)
	1X – Receiver (RX)
	1X – User Manual
	2X – 5V 2A power adapter





ORDERING INFORMATION

USA Corporate Headquarters

PESA
103 Quality Circle, Suite 210
Huntsville, Alabama 35806
TEL: +1 256-726-9200
FAX: +1 256-726-9271
sales@pesa.com

Warranty:

Products manufactured by PESA are manufactured for performance and reliability. PESA warrants these products against defects and workmanship for a period of one year.

Services:

Customer service support is available 24 hours a day, 7 days a week by calling 1-800-323-7372.
International customers call +1 (256) 726-9222.

In addition to our Customer service support center, we offer extended warranties and online technical resources via our website at:
www.pesa.com

On site or factory training is available for control system operations, technical, and maintenance training. Contact our technical support group for additional information.

Spares can be ordered through your area sales representative.
Specifications subject to change without notice.